



US00D387043S

**United States Patent** [19]  
**Cheng**

[11] **Patent Number:** **Des. 387,043**  
[45] **Date of Patent:** **\*\*Dec. 2, 1997**

[54] **TRACK BALL**  
[75] **Inventor:** **Fu Chin Cheng**, Hsin Tien, Taiwan  
[73] **Assignee:** **Sysgration Ltd.**, Taipei Hsien, Taiwan  
[\*\*] **Term:** **14 Years**  
[21] **Appl. No.:** **57,438**  
[22] **Filed:** **Jul. 25, 1996**  
[51] **LOC (6) Cl.** ..... **14-02**  
[52] **U.S. Cl.** ..... **D14/114**  
[58] **Field of Search** ..... D14/100, 114,  
D14/114.1-114.9; 345/163

D. 335,658 5/1993 Barry ..... D14/114

*Primary Examiner*—Kay H. Chin  
*Attorney, Agent, or Firm*—Bacon & Thomas

[57] **CLAIM**

The ornamental design for a track ball, as shown and described.

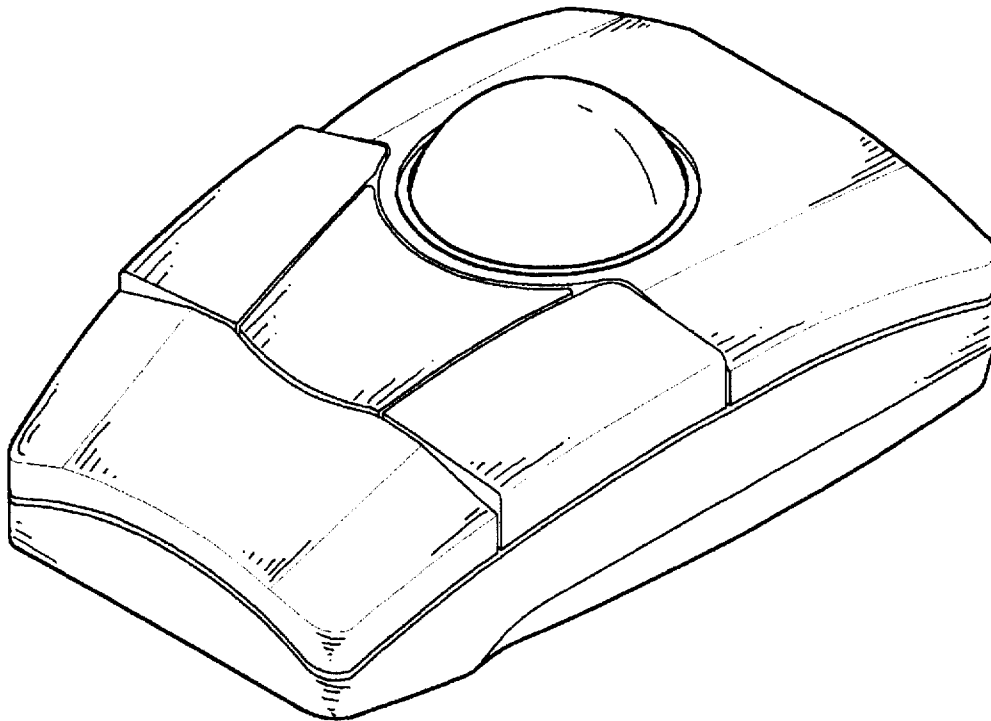
**DESCRIPTION**

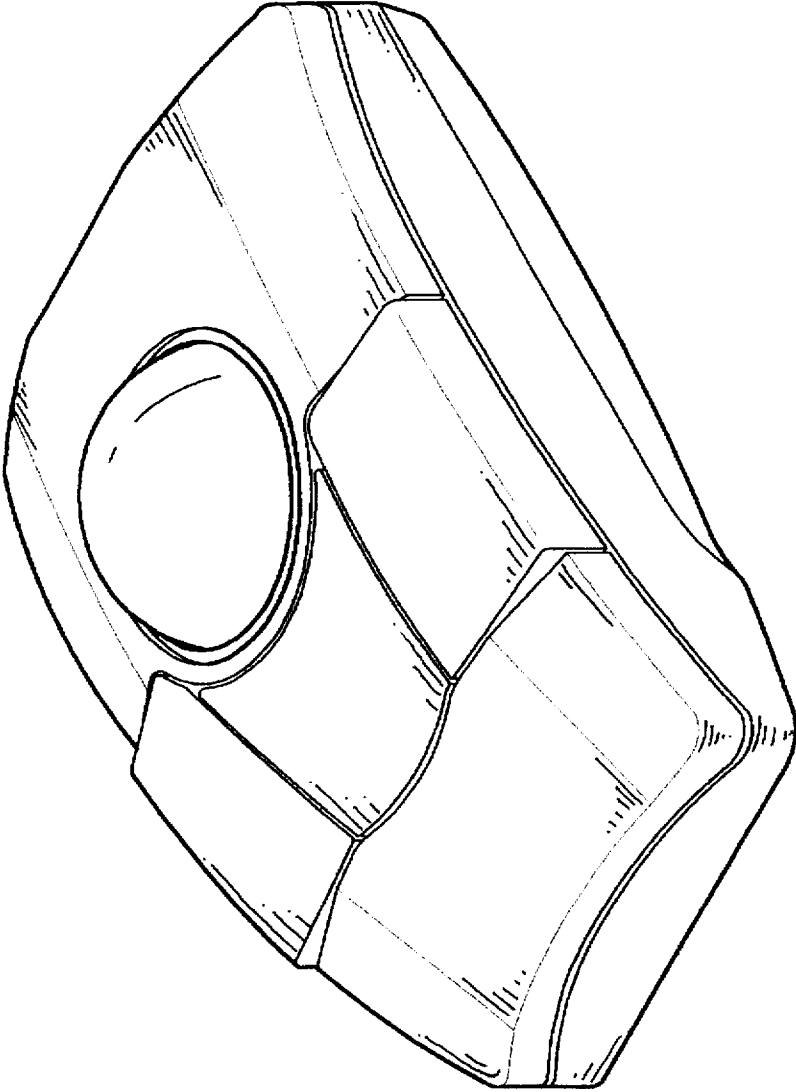
FIG. 1 is a perspective view of a track ball showing my design;  
FIG. 2 is a front perspective view thereof;  
FIG. 3 is a rear perspective view thereof;  
FIG. 4 is a left side elevation view thereof;  
FIG. 5 is a right rear perspective view thereof;  
FIG. 6 is a top plan view thereof; and,  
FIG. 7 is a bottom plan view thereof.

[56] **References Cited**  
**U.S. PATENT DOCUMENTS**

D. 291,318 8/1987 Kim ..... D14/114  
D. 315,552 3/1991 Sacherman ..... D14/114

**1 Claim, 4 Drawing Sheets**





*FIG. 1*

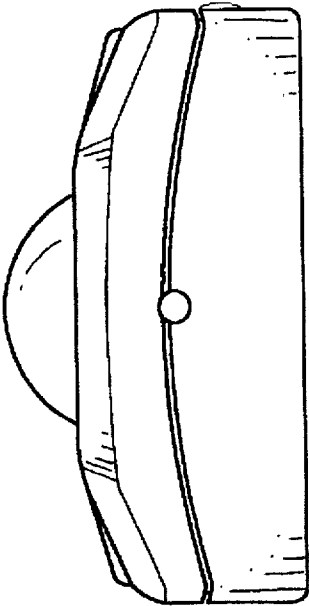


FIG. 2

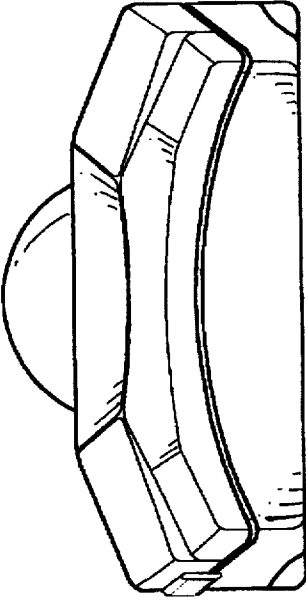


FIG. 3

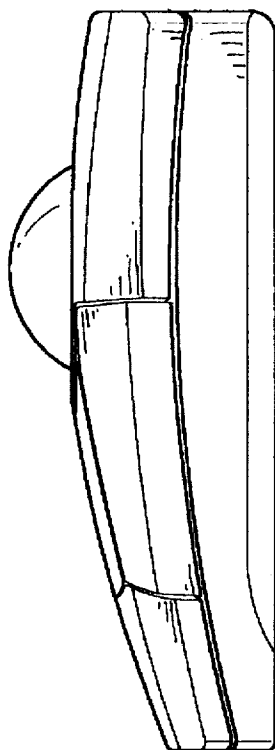


FIG. 5

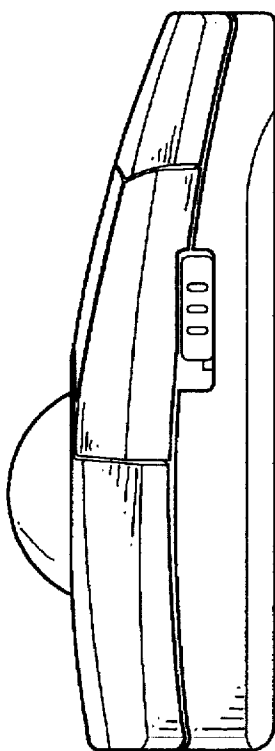


FIG. 4

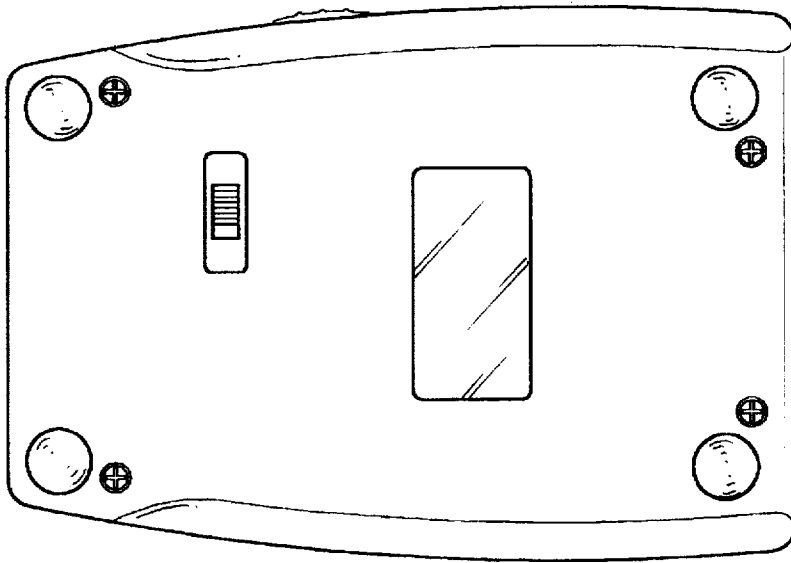


FIG. 7

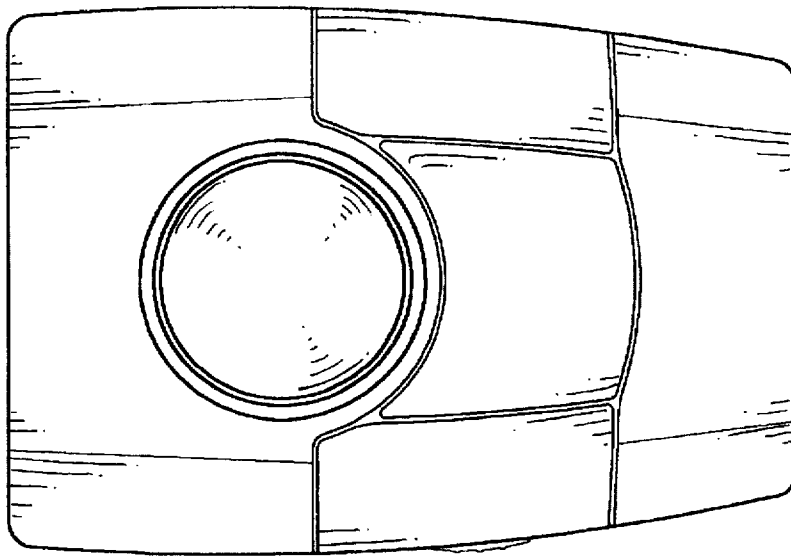


FIG. 6